

ÜBERSICHTSZEICHNUNG ASSEMBLY DRAWING

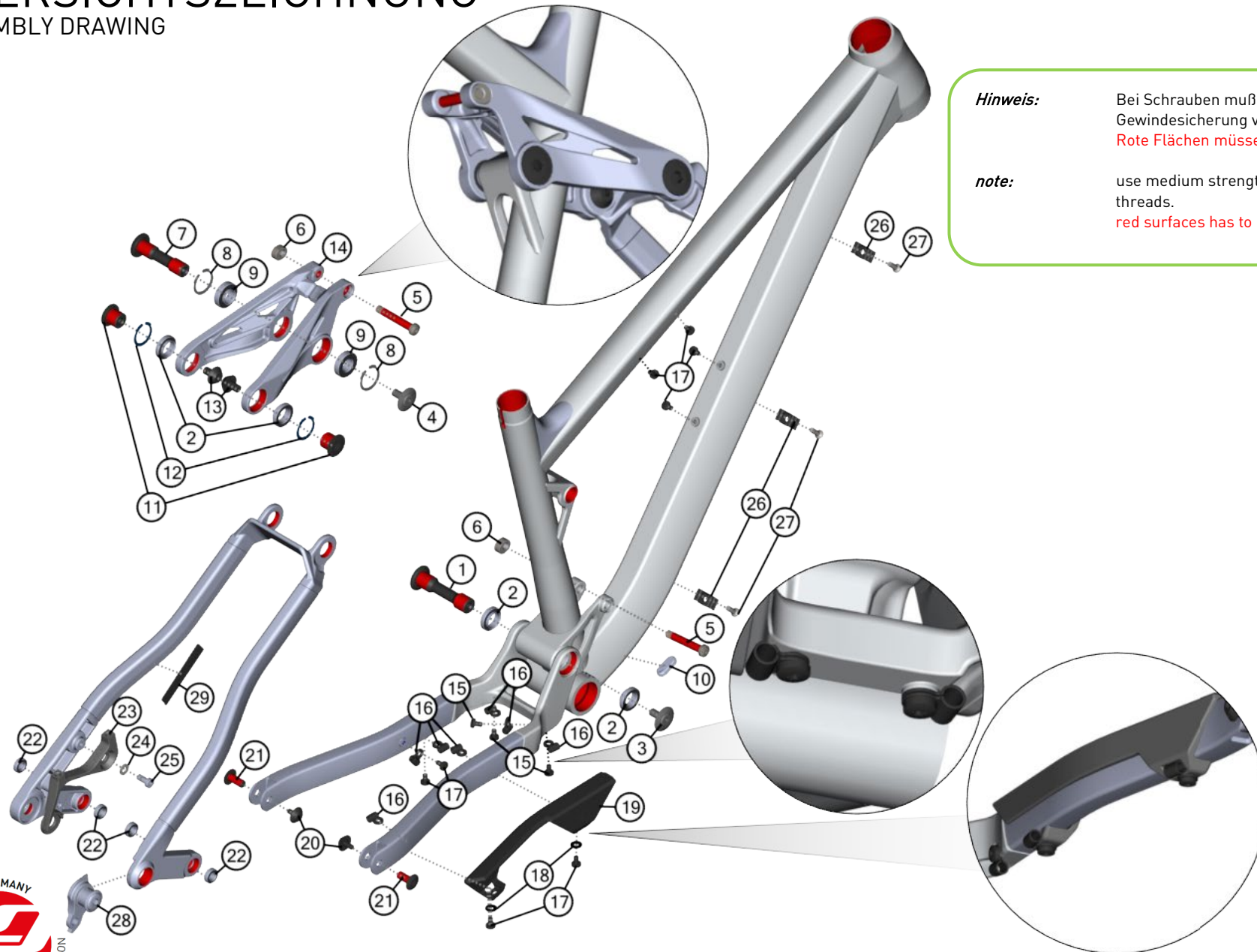


KATO FS (MY23)

2023-02-19

V01

ÜBERSICHTSZEICHNUNG ASSEMBLY DRAWING



Hinweis:

Bei Schrauben muß mittelfeste Gewindesicherung verwendet werden.
Rote Flächen müssen gefettet werden.

note:

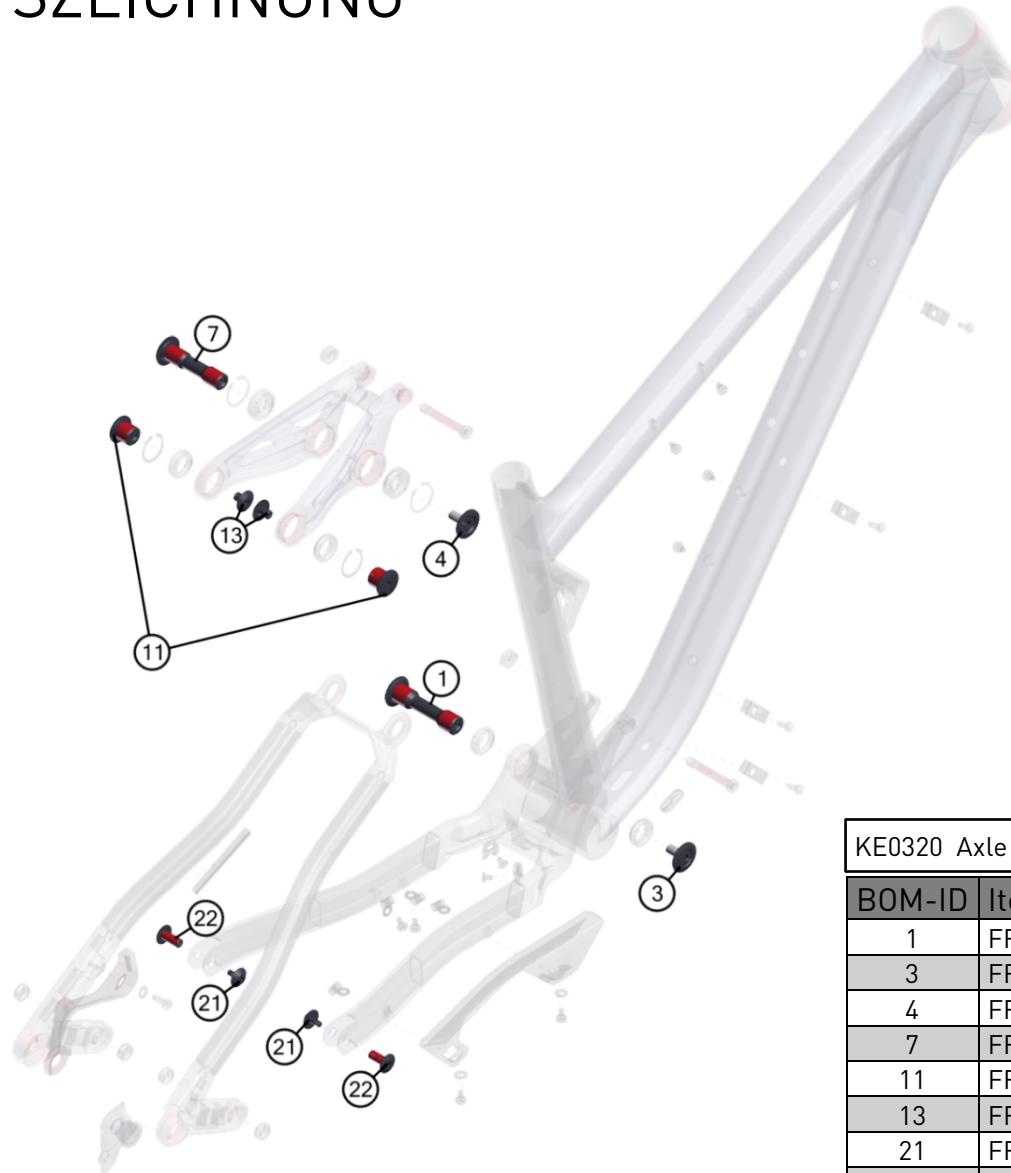
use medium strength screwlock for screw threads.
red surfaces has to be greased.

ÜBERSICHTSZEICHNUNG

ASSEMBLY DRAWING

BOM-ID	Item no.	Description	Specification	Torque	QTY
1	FRAX0011	axle main pivot	HEX 8 - M8 x 69,7 mm		1
2	SM1379	seat stay & main pivot bearing	OUT DIA 26 mm IN DIA 17 mm		4
3	FRAX0012	Screw main pivot axle	HEX 5 - M8 x 15,5 mm	12 Nm	1
4	FRSC0162	Screw rocker fix pivot	HEX 5 - M8 x 15,7 mm	12 Nm	1
5	EZ2726	shock mount bolt		12 Nm	2
6	FRNT0054	shock mount nut			2
7	FRAX0013	rocker fix pivot			1
8	FRWS0028	circlip 28	28 mm DIN 472		2
9	SM1380	rocker pivot bearing	OUT DIA 28 mm IN DIA 15 mm		2
10	FROT0074	Cable Guide Plug 4.5mm			1
11	FRAX0014	axle seat stay pivot			2
12	FRWS0026	circlip 26	26 mm DIN 472		2
13	FRSC0161	Screw seat stay pivot		8 Nm	2
14	FROT0023	rocker			1
15	SM1673	lens head screw	T25 - M5 x 6 mm	5 Nm	3
16	SM0002	cableguides			7
17	SM0919	screws for cable guides	T25 - M5 x 12mm	5 Nm	8
18	FRWS0002	washer			2
19	FRPR0010	chainstay protector			1
20	FRSC0160	Screw horst link		6 Nm	2
21	FRAX0010	Axle horst link			2
22	SM1381	Bearing horstlink	Out DIA 16mm in DIA 8 mm		4
23	FROT0202	disconnect brakemount			1
24	SM1243	washer	D6,4		1
25	SM1693	screw	HEX4 - M6 x 14mm	10 Nm	1
26	SM1441	cableguides			3
27	FRSC0144	countersunk screw	T25 - M5 x 12 mm	5 Nm	3
28	FRHG0063	GW UDH hanger		25 Nm	1
29	SM1392	S/S protection			1

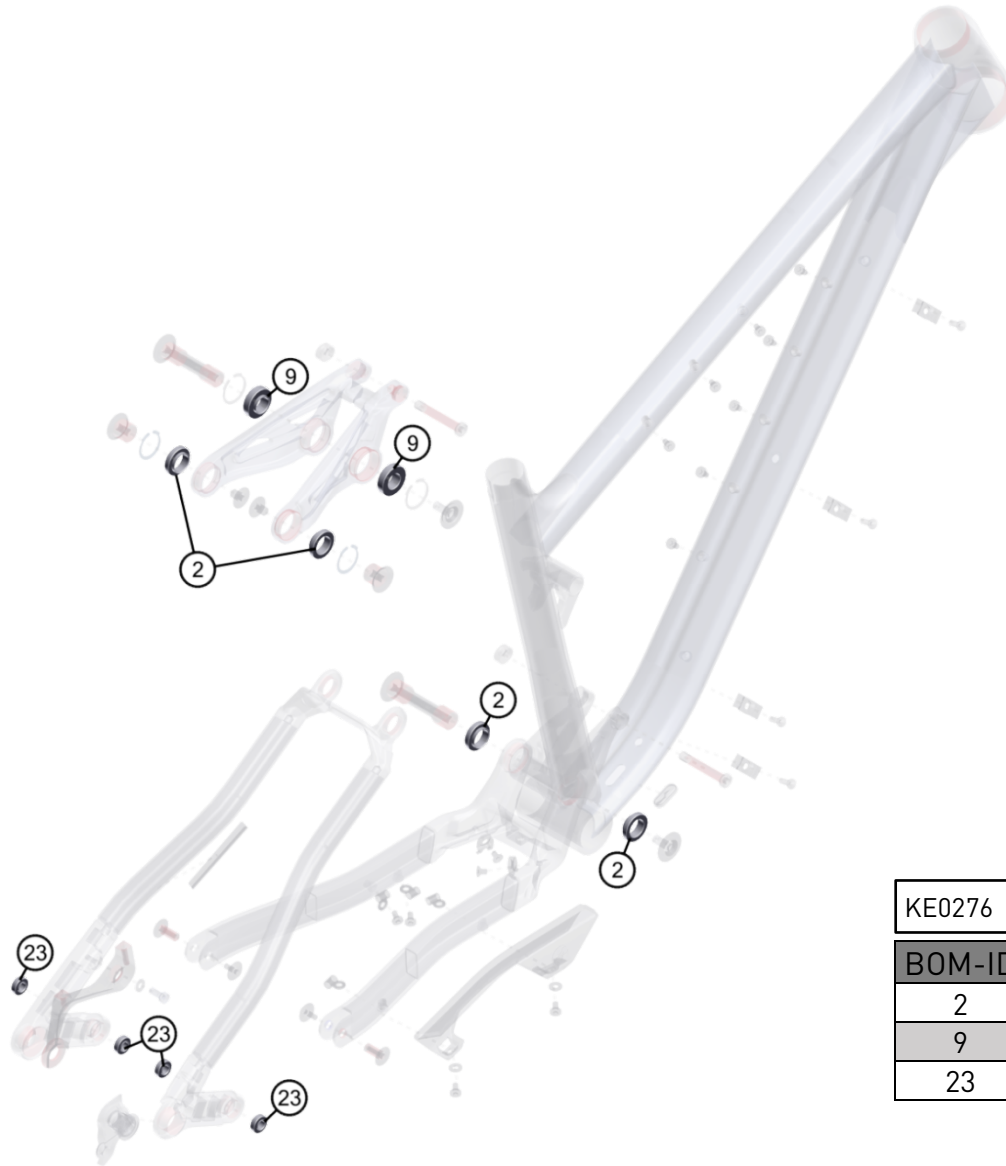
ÜBERSICHTSZEICHNUNG ASSEMBLY DRAWING



KE0320 Axle & Screw Kit

BOM-ID	Item no.	Description	Torque	QTY
1	FRAX0011	Axle Main Pivot		1
3	FRAX0012	Screw Main Pivot Axle	12 Nm	1
4	FRSC0162	Screw Rocker Fix Pivot	12 Nm	1
7	FRAX0013	Axle Rocker Fix Pivot		1
11	FRAX0014	Axle Seatstay Pivot		2
13	FRSC0161	Screw Seat Stay Pivot	8 Nm	2
21	FRSC0160	Screw Horstlink	6 Nm	2
22	FRAX0010	Axle Horstlink		2

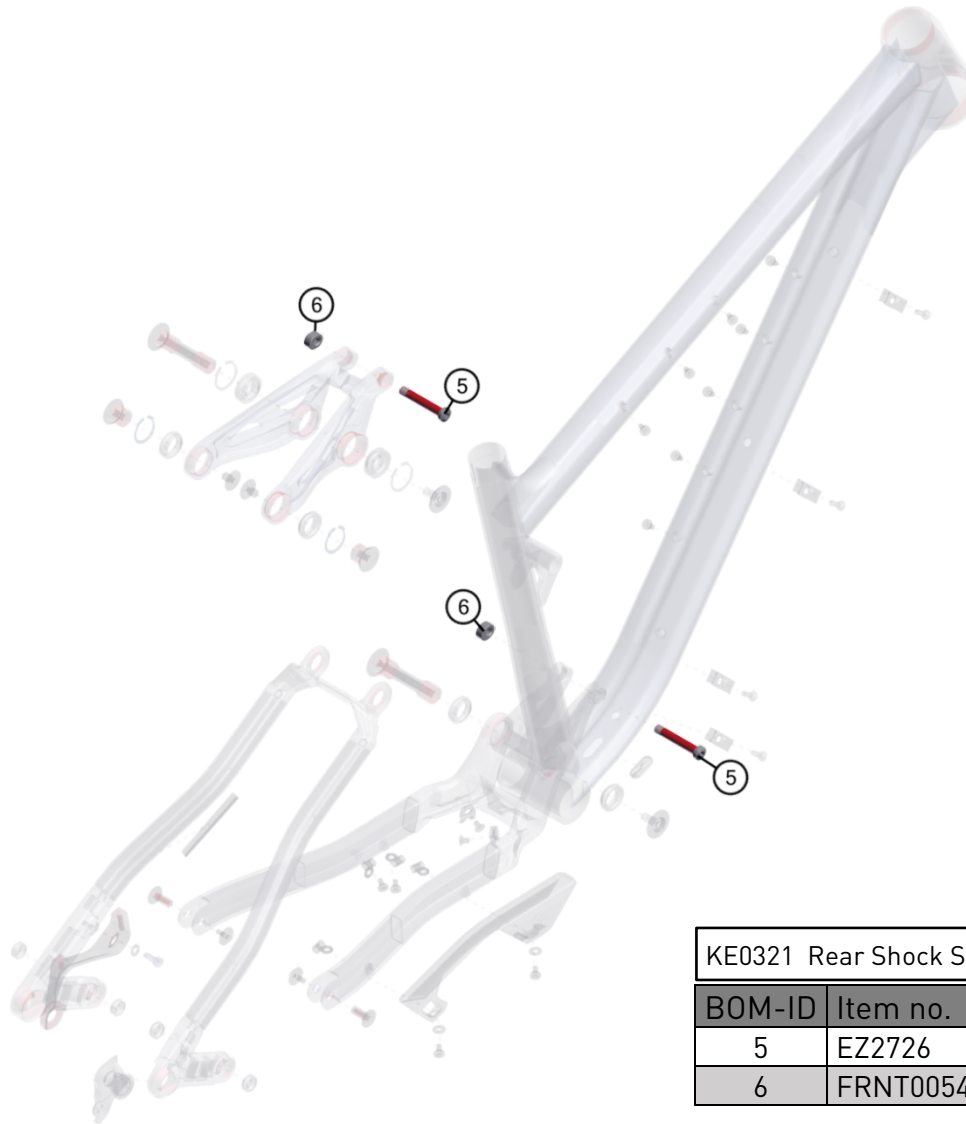
ÜBERSICHTSZEICHNUNG ASSEMBLY DRAWING



KE0276 Bearing Kit

BOM-ID	Item no.	Description	QTY
2	SM1379	Main Pivot & Seat Stay Pivot	4
9	SM1380	Seat Tube - Rocker Pivot Bearing	2
23	SM1381	Horst Link Pivot Bearing	4

ÜBERSICHTSZEICHNUNG ASSEMBLY DRAWING



KE0321 Rear Shock Screw Kit

BOM-ID	Item no.	Description	Torque	QTY
5	EZ2726	Axle shock mount	12 Nm	2
6	FRNT0054	Shock mount nut		2